

Compact Fluorescent Indoor

section		page #
6	CACF	158
	PFCFA	160
	PFCFCB	162
	PFCFM	164
	RSPCF/QL	68
Compact Fluorescent Indoor		
	OPTIONS	166-167
Compact Fluorescent Indoor		
	ACCESSORIES	168-169

ConcelAire (CACF)

features
Wide-Lite's
Innovative
CF
Lyte Cluster™
Optical
System



CACF

ConcelAire Classic

CACF-A19O
19" Open

CACF-C19E
19" Enclosed
with Conical
Lens also
available

CACF-D25E
25" Enclosed
with Dropped Lens

CACF-A25O
25" Open also available

also available:

CACF-A22O (22" Open)

CACF-C22E (22" Enclosed with Conical Lens)

CACF-D22E (22" Enclosed with Dropped Lens)

ConcelAire Contemporary

CACF-CBD
Dropped Refractor

CACF-CBC
Conical Refractor

- UL1598 suitable for Damp Locations

- CF Lyte Cluster™ Optical System
- 8x42W - 4x42W

- Retail and Department Stores
- Grocery Stores and Food Service
- Schools and Activity Centers
- Churches and Libraries
- Convention Centers and Auditoriums

- Constructed to IP22
- ConcelAire features:
 - CF Lyte Cluster™ Optical System:
 - Integrated Electronic Ballast
 - Precise positioning of Compact Fluorescent Lamps for Optimum Uniformity
 - Standard Mounting to 3/4" NPT Conduit Stem; Optional 3/8" Trade Size available
 - Sleek Retail Look in Two Styles:
 - Classic model provides Prismatic Optics; Contemporary model offers Diffuse Optics
- **ConcelAire Classic** features:
 - 19", 22", or 25" Prismatic Refractor with Uplight Component
 - 19" ConcelAire Classic available in Open or Enclosed Unit with Conical Lens
 - 22" ConcelAire Classic available in Open or Enclosed Unit with either Conical or Dropped Lens
 - 25" ConcelAire Classic available in Open or Enclosed Unit with Dropped Lens
 - Refractor available in Clear Acrylic, or optional Clear Polycarbonate.
 - Custom Refractor Colors may also be specified. Optional Pearl White, Metalized, or Granite may also be specified for the Acrylic Refractor only.
 - Sleek Upper Aluminum Reflector Housing available in White or optional Custom Colors
- **ConcelAire Contemporary** features:
 - Direct Pendant Mounted Optics add a Designer Look to Task Lighting Applications
 - Dropped or Conical Refractor provide Design Flexibility
 - Wide Upper Reflector Housing finished in White polyester powder coat. Custom colors may be specified.
- Compact Fluorescent Advantages:
 - Higher Maintained Lumens / Ultra-Long Life / Crisp White Light
 - Higher Mean Lumens per Watt provided by High Frequency Electronic Ballast
 - Full Range Dimming Available
 - Optional GE Lighting / ACE Ballast Total Performance OEM Systems Warranty

Performer
CF Series
Acrylic
High Bay

PFCFA

also available:
PFCF-A25O

PFCF-D25E
25" Enclosed with
Dropped Lens

also available:
PFCF-C19E

PFCF-A19O
19" Open

PFCF-C22E
22" Enclosed with
Conical Lens

also available:
PFCF-A22O (22" Open)
PFCF-D22E (22" Enclosed with Dropped Lens)



Performer
CF Series
Comfort
Bay

PFCFCB

PFCF-CBD
Dropped
Reflector

PFCF-CBC
Conical
Reflector



Performer
CF Series
High Bay

PFCFM

PFCF-M21E
21" Enclosed Metal High Bay

also available:
PFCF-M21O
21" Open Metal High Bay

PFCF-M21T
21" Enclosed Metal High Bay
with Teflon lens



Round
Spectra-Lyte
Garage
Light
with CF or
QL Source
see p. 68
RSP

RSP-CF/QL



- UL1598 suitable for Damp Locations

- 8x42 - 4x42W CF

- Schools and Activity Centers
- Retail and Department Stores
- Grocery Stores
- Churches and Libraries
- Gymnasiums

- Constructed to IP22
- 19", 22", or 25" Prismatic Reflector with Uplight Component
- 19" unit available with Open Optics or Enclosed with Conical Lens
- 22" unit available with Open Optics or Enclosed with Conical or Dropped Lens
- 25" unit available with Open Optics or Enclosed with Dropped Lens
- CF Units Provide:
 - Higher Maintained Lumens
 - Ultra-Long Life
 - Crisp White Light
 - Higher Mean Lumens per Watt provided by High Frequency Electronic Ballast
- Full Range Dimming Available
- Optional GE Lighting / ACE Ballast Total Performance OEM Systems Warranty
- Standard 3/4" NPT Nut and Hub Provides Quick, Positive Mounting

- UL1598 suitable for Damp Locations

- 8x42W - 4x42W CF

- Schools and Activity Centers
- Churches and Libraries
- Assembly Areas
- Gymnasiums

- Constructed to IP22
- Diffuse Acrylic Refractive Lens available in a Conical or Dropped Lens Style
- Additional Uplight Option features Translucent Inserts in Upper Reflector that Eliminate Shadows and Increase Space Perception
- CF Units Provide:
 - Higher Maintained Lumens
 - Ultra-Long Life
 - Crisp White Light
 - Higher Mean Lumens per Watt provided by High Frequency Electronic Ballast
- Full Range Dimming Available
- Optional GE Lighting / ACE Ballast Total Performance OEM Systems Warranty
- Standard 3/4" NPT Nut and Hub Provides Quick, Positive Mounting

- UL1598 suitable for Damp Locations

- 8x42W - 4x42W CF

- Light Industrial Applications
- Gymnasiums

- Open unit constructed to IP22, Enclosed unit constructed to IP52
- Available Open or Enclosed with Tempered Glass Lens
- Optional Teflon® Primary Lens or Teflon Over Glass Lens also available
- CF Units Provide:
 - Higher Maintained Lumens
 - Ultra-Long Life
 - Crisp White Light
 - Higher Mean Lumens per Watt provided by High Frequency Electronic Ballast
- Full Range Dimming Available
- Optional GE Lighting / ACE Ballast Total Performance OEM Systems Warranty
- Standard 3/4" NPT Nut and Hub Provides Quick, Positive Mounting

- UL1598 suitable for Wet Locations

- 4x42W, 4x32W, 4x26W
- 165W, 85W QL

- Parking Garages
- Canopies
- Covered Walkways
- Low Soffits

- Constructed to IP54
- Controlled Downlight and Uplight Component
- Suitable For Low Ceilings and Shallow Viewing Angles
- Emergency Battery Backup Options Available for CF Units
- Mounting Options include:
 - Standard Easy Hanger Plate for Mounting to Junction Box
 - Pendant Mounting to 3/4" Rigid Conduit with Threaded Hub
 - Direct Surface Mount with Feed-Through Wiring
 - Architectural Styling

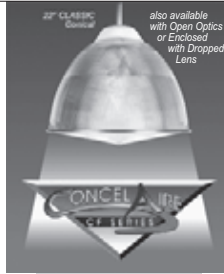
Type: _____ Job: _____

Catalog Number: _____



applications

- Retail and Department Stores
- Grocery Stores and Food Service
- Schools and Activity Centers
- Churches and Libraries
- Gymnasiums



- CACF Classic:**
- 19" CACF-A190
 - CACF-C19E
 - 22" CACF-A220
 - CACF-C22E
 - CACF-D22E
 - 25" CACF-A250
 - CACF-D25E

SERIES	REFRACTOR	VOLTAGE	OPTIONS	FINISH
--------	-----------	---------	---------	--------

ACCESSORIES

For Compact Fluorescent Indoor options, finish choices and accessories, see pages 166 - 169.

Specifications

Refractor / Optics

The ConcelAire Series features Wide-Lite's CF Lyte Cluster™ optical system. While providing precise positioning of compact fluorescent lamps for optimum uniformity, the Lyte Cluster also conceals an electronic ballast.

The upper optic assembly features an aluminum alloy reflector housing.

The injection molded UV stabilized acrylic refractor (polycarbonate option also available) optimizes low glare and high CRI (80+) characteristics of CFL source.

With the Classic model, custom colors may be specified for both the upper aluminum reflector housing and the prismatic refractor. All Classic models are available with Open optics. The 19" may also be specified with either a Conical or a Dropped Lens. The 25" may also be specified with a Dropped Lens.

With the Contemporary model, custom colors may be specified for the upper aluminum reflector housing only. The Contemporary model is only available as an Enclosed unit, with either a Conical or Dropped Diffuse Refractor. An optional upright component, available on the Contemporary model, provides fill light on ceiling surfaces to improve the quality of the lighting environment. Standard unit constructed to IP22.

Ballast

Electronic ballast shall be integral and totally enclosed within the CF Lyte Cluster™, providing silent operation beneficial in environments where acoustics are a concern, as well as safe and reliable component life. High power factor, high frequency (non-dimming) ballast shall provide reliable starting at temperatures as low as -30°C (-22°F), and shall have Total Harmonic Distortion of less than 10%. Full range dimming ballasts are optional, and unlike HID core and coil ballasts, cycling is not required in 24 hour, 7-day operations. With this option, starting temperatures are as low as 10°C (50°F). THD varies and temperature limits apply. Consult factory.

Lamp / Socket

The ConcelAire luminaire utilizes amalgam-based Compact Fluorescent lamps and GX24q-4/5 sockets. Compact Fluorescent lamps provide higher maintained (mean) lumens over the life of the lamp, and at 12 hour starts, exceed the lamp life of comparable HID lamps by more than 50%. (12 hour starts result in 20,000 hour rated lamp life.)

Mounting

Pendant mounting is standard. Cast aluminum nut and hub shall provide quick, positive mounting to 3/4" NPT conduit (by others). For a cleaner look, mounting accessories are available for reducing the stem size to 3/8"-18 NPSM.

Finish

Standard refractor collar finish is white UltraClad™ polyester powder coat, electrostatically applied and oven cured. Optional custom colors available for the refractor collar for both the Classic and the Contemporary model. Optional custom transparent refractor colors may be specified for both the standard acrylic refractor or the polycarbonate option on the Classic model. Specialty acrylic refractor finishes (Pearl White, Metalized, and Granite) are available on the Classic model only. *Note:* Granite refractor and certain custom colored refractors greatly reduce luminaire efficiency as well as having the potential to create an adverse thermal issue in certain ambients. Consult factory.

Listings

UL/cUL Listed luminaire, UL 1598, suitable for damp locations; 25°C (77°F) to 40°C (104°F) ambients. The quality systems of this facility have been Registered by UL to the ISO 9000 Series Standards.

Warranty / Terms and Conditions

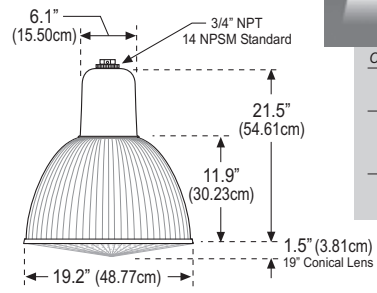
Standard 5 Year Limited Warranty.

Optional GE Lighting/ACE Ballast Total Performance OEM systems warranty (registration required).

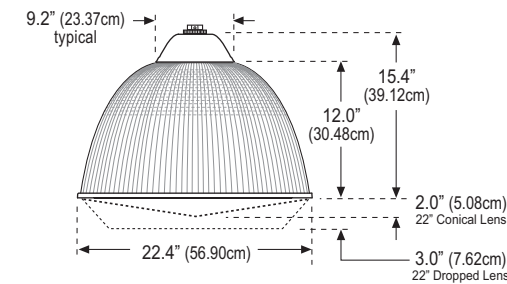
Wide-Lite's current Warranty may be found at www.wide-lite.com (keyword: warranty) as well as Wide-Lite's current Standard Terms and Conditions of Sale (keyword: terms).

All sales of items in this catalogue shall be subject to Wide-Lite's Standard Terms and Conditions of Sale current at the time of shipment. If you do not have a copy of Wide-Lite's Warranty and Standard Terms, please contact the factory for same prior to ordering.

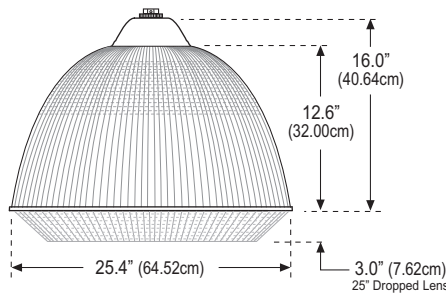
19" Classic



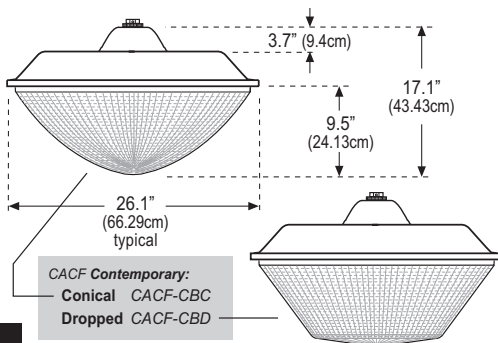
22" Classic



25" Classic



Contemporary (dimensions are typical for both)



- CACF Contemporary:**
- Conical CACF-CBC
 - Dropped CACF-CBD

Specifications and dimensions are subject to change without notice.



www.wide-lite.com
CATALOG KEYWORD: CACF



Wide-Lite
 a GENLITE company

P.O. Box 606 • San Marcos TX 78667-0606
 (512) 392-5821 • Fax (512) 753-1122

Series (1)

Classic

- CACF-842 = 8 x 42W (2)
- CACF-642 = 6 x 42W
- CACF-442 = 4 x 42W

Contemporary

- CACF-642 = 6 x 42W

Refractor (1)

Classic

- A190 = 19" Open Optics
- C19E = 19" Enclosed with Conical Lens

- A220 = 22" Open Optics
- C22E = 22" Enclosed with Conical Lens
- D22E = 22" Enclosed with Dropped Lens

- A250 = 25" Open Optics
- D25E = 25" Enclosed with Dropped Lens

Contemporary

- CBC = Conical Refractor
- CBD = Dropped Refractor

(1) Consult Ambient Temperature Limits chart to determine suitability for intended application.

(2) CACF-842 is only available in the Classic Series with the A220 or A250 refractor in consideration of the ambient temperature limits as noted. Not available with the 19" open refractor or in an enclosed 22" or 25" refractor.

Voltage

- 120
- 208
- 240
- 277

CACF AMBIENT TEMPERATURE LIMITS

Lamp Configuration	2 x 42W		4 x 42W		6 x 42W		8 x 42W	
Total Wattage	84		168		252		336	
Ambient Limits	25°C	40°C	25°C	40°C	25°C	40°C	25°C	40°C
A190	♦	♦	♦	♦	♦			
C19E	♦	♦	♦	♦	♦			
A220	♦	♦	♦	♦	♦	♦	♦	
C22E	♦	♦	♦	♦	♦	♦		
D22E	♦	♦	♦	♦	♦	♦		
A250	♦	♦	♦	♦	♦	♦	♦	♦
D25E	♦	♦	♦	♦	♦	♦		
CBC	♦	♦	♦	♦	♦	♦		
CBD	♦	♦	♦	♦	♦	♦		

CF vs. HID Efficiency Comparison

CF Lamp Wattage	2x42	4x42	6x42	8x42
CF Initial Lumens	6,400	12,800	19,200	25,600
CF Mean Lumens	5,504	11,008	16,512	22,016
HID Equivalent	70M	175M	250M	250PS
HID Initial Lumens	5,200	14,400	20,800	25,000
HID Mean Lumens	3,900	10,800	13,500	20,000

Distribution Guide & Ballast Data (1)

Catalog Number	Refractor(2)	Lamping(3)	Spacing Criteria	Max Ambient(4)	Lamp Life(5)	Initial Lumens	Maintained Lumens(6)	.ies File Name(7)	CRI	Line Current 120 / 208 / 240 / 277	Line Watts	LER(7)
ConcelAire Classic												
CACF-842-A250	25"	8 X 42W CF	2.2	40°C	15000	25600	21760	ca842a5o.ies	82	2.9 / 1.6 / 1.5 / 1.2	357	64
CACF-842-A220	22"	8 X 42W CF	2.1	25°C	15000	25600	21760	ca842a2o.ies	82	3.0 / 1.8 / 1.4 / 1.2	336	62
CACF-642-C22E	22"	6 X 42W CF	1.8	40°C	15000	19200	16320	ca642a2c.ies	82	2.2 / 1.3 / 1.1 / 0.9	252	56
CACF-642-D22E	22"	6 X 42W CF	1.9	40°C	15000	19200	16320	ca642a2d.ies	82	2.2 / 1.3 / 1.1 / 0.9	252	56
CACF-642-A190	19"	6 X 42W CF	2.3	25°C	15000	19200	16320	ca642a9o.ies	82	2.2 / 1.3 / 1.1 / 0.9	252	63
CACF-442-C19E	19"	4 X 42W CF	1.9	40°C	15000	12800	10880	ca442a9c.ies	82	1.5 / 0.9 / 0.7 / 0.6	168	53
ConcelAire Contemporary												
CACF-642-CBC	Conical	6 X 42W CF	1.4	40°C	15000	19200	16320	ccb642c.ies	82	2.2 / 1.3 / 1.1 / 0.9	252	54
CACF-642-CBC-AUL	Conical	6 X 42W CF	1.5	40°C	15000	19200	16320	ccb642cu.ies	82	2.2 / 1.3 / 1.1 / 0.9	252	58
CACF-642-CBD	Dropped	6 X 42W CF	1.3	40°C	15000	19200	16320	ccb642d.ies	82	2.2 / 1.3 / 1.1 / 0.9	252	53
CACF-642-CBD-AUL	Dropped	6 X 42W CF	1.4	40°C	15000	19200	16320	ccb642du.ies	82	2.2 / 1.3 / 1.1 / 0.9	252	56

Distribution Guide and Ballast Data Notes:

- (1) The ConcelAire Series can accommodate a variety of other lamping combinations and wattages. Please consult factory with specific requirements.
- (2) For ConcelAire Classic, 19" Acrylic enclosed lens is available with Conical only. 25" Acrylic enclosed lens is available with Dropped only.
- (3) Data represents highest and/or most common lumen packages available for each refractor type. Please note Maximum Ambient temperature. All 42W ballasts can accommodate 32W or 26W CF lamps as well. Consult factory for additional information on specific lamping requirements.

- (4) Important: Ambient temperature guidelines must be followed. Operation in excess of Maximum Ambient temperature will void luminaire warranty. Note: Approximate °C to °F is as follows: 25°C = 77°F, 40°C = 104°F.

- (5) Lamp life based upon 50% mortality rate at 10 hour minimum starts.
- (6) Maintained lumens calculated at 40% rated life.
- (7) Calculated in accordance with NEMA Standard LE-5B. Consult factory.



Performer CF Acrylic High Bay
19" Open Optics
(also available with Conical Lens)

applications

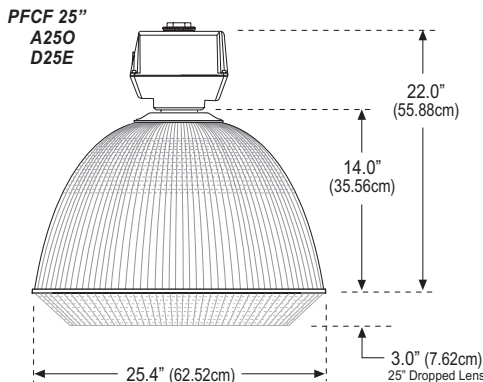
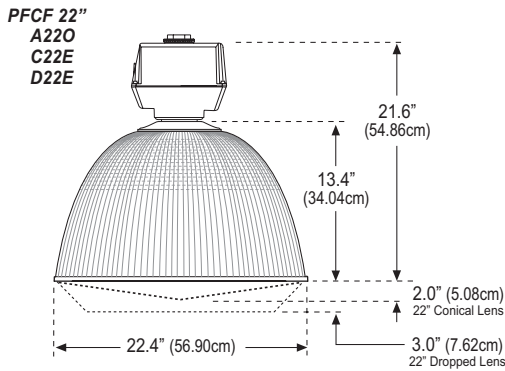
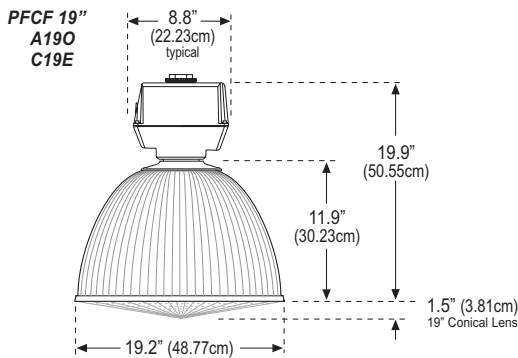
- Schools and Activity Centers
- Retail and Department Stores
- Grocery Stores
- Churches and Libraries
- Gymnasiums



Performer CF Acrylic High Bay
22" Enclosed Optics with Conical Lens
(also available Open or with Dropped Lens)



Performer CF Acrylic High Bay
25" Enclosed Optics with Dropped Lens
(also available with Open Optics)



Type: _____ Job: _____

Catalog Number: _____

SERIES	REFRACTOR	VOLTAGE	OPTIONS	FINISH
--------	-----------	---------	---------	--------

ACCESSORIES

For Compact Fluorescent Indoor options, finish choices and accessories, see pages 166 - 169.

Specifications

Refractor / Optics

The Performer CF Acrylic High Bay Series features a prismatic refractor of injection molded UV stabilized acrylic. A wide distribution combined with an upright component provides high angle vertical and horizontal footcandle values while virtually eliminating glare.

The acrylic refractor and prismatic lens, available in 19", 22", and 25" sizes, improves uniformity inherent in Compact Fluorescent lamp sources.

The 19" unit is available either as an open unit or enclosed with a Conical Lens. The 22" unit is available as an open unit or enclosed with either a Conical or a Dropped Lens. The 25" unit is available as an open unit or enclosed with a Dropped Lens.

Optional impact-resistant polycarbonate optics are also available.

Standard unit constructed to IP22.

Ballast Assembly

Standard low profile, heat dissipating, die-cast aluminum alloy ballast enclosure has a convenient wiring access plate in the upper housing.

Ballast

High power factor, high frequency (non-dimming) electronic ballast shall provide reliable starting at temperatures as low as -30°C (-22°F), and shall have Total Harmonic Distortion of less than 10%. Full range dimming ballasts are optional, and unlike HID core and coil ballasts, cycling is not required in 24 hour, 7-day operations. With this option, starting temperatures are as low as 10°C (50°F), and THD varies. Consult factory.

Lamp / Socket

The Performer CF Acrylic High Bay luminaire utilizes amalgam-based Compact Fluorescent lamps and GX24q-4/5 sockets. Compact Fluorescent lamps provide higher maintained (mean) lumens over the life of the lamp, and at 12 hours starts, exceed the lamp life of comparable HID lamps by more than 50%. (12 hour starts result in 20,000 hour rated lamp life.)

Mounting

Pendant mounting is standard. Cast aluminum nut and hub (provided with standard ballast enclosure) shall provide quick, positive mounting to 3/4" NPT conduit (by others). Other mounting options are available.

Finish

Standard ballast enclosure and upper reflector housing finish is white UltraClad™ polyester powder coat, electrostatically applied and oven cured.

Optional custom transparent refractor color may be specified for both the standard acrylic refractor and lens or the polycarbonate option. Specialty acrylic refractor finishes (Pearl White, Metalized, and Granite) are available. Note: Granite refractor and certain custom colored refractors greatly reduce luminaire efficiency as well as having the potential to create an adverse thermal issue in certain ambients. Consult factory.

Listings

UL/cUL Listed luminaire, UL 1598, suitable for damp locations; 25°C (77°F) to 40°C (104°F) ambients.

The quality systems of this facility have been Registered by UL to the ISO 9000 Series Standards.

Warranty / Terms and Conditions

Standard 5 Year Limited Warranty.

Optional GE Lighting/ACE Ballast Total Performance OEM systems warranty (registration required).

Wide-Lite's current Warranty may be found at www.wide-lite.com (keyword: warranty) as well as Wide-Lite's current Standard Terms and Conditions of Sale (keyword: terms).

All sales of items in this catalogue shall be subject to Wide-Lite's Standard Terms and Conditions of Sale current at the time of shipment. If you do not have a copy of Wide-Lite's Warranty and Standard Terms, please contact the factory for same prior to ordering.



www.wide-lite.com
CATALOG KEYWORD: PFCFA



Wide-Lite
a GENIUM company

P.O. Box 606 • San Marcos TX 78667-0606
(512) 392-5821 • Fax (512) 753-1122

Series ⁽¹⁾	
<input type="checkbox"/> PFCF-842	= 8 x 42W
<input type="checkbox"/> PFCF-642	= 6 x 42W
<input type="checkbox"/> PFCF-442	= 4 x 42W

Refractor ⁽¹⁾	
<input type="checkbox"/> A19O	= 19" Open Optics
<input type="checkbox"/> C19E	= 19" Enclosed with Conical Lens
<input type="checkbox"/> A22O	= 22" Open Optics
<input type="checkbox"/> C22E	= 22" Enclosed with Conical Lens
<input type="checkbox"/> D22E	= 22" Enclosed with Dropped Lens
<input type="checkbox"/> A25O	= 25" Open Optics
<input type="checkbox"/> D25E	= 25" Enclosed with Dropped Lens

Voltage			
<input type="checkbox"/> 120	<input type="checkbox"/> 208	<input type="checkbox"/> 240	<input type="checkbox"/> 277

CF vs. HID Efficiency Comparison

CF Lamp Wattage	2x42	4x42	6x42	8x42
CF Initial Lumens	6,400	12,800	19,200	25,600
CF Mean Lumens	5,504	11,008	16,512	22,016
HID Equivalent	70M	175M	250M	250PS
HID Initial Lumens	5,200	14,400	20,800	25,000
HID Mean Lumens	3,900	10,800	13,500	20,000

(1) Consult Ambient Temperature Limits chart to determine suitability for intended application.

PFCF ACRYLIC HIGH BAY AMBIENT TEMPERATURE LIMITS

Lamp Configuration	2 x 42W		4 x 42W		6 x 42W		8 x 42W	
Total Wattage	84		168		252		336	
Ambient Limits	25°C	40°C	25°C	40°C	25°C	40°C	25°C	40°C
A19O	◆	◆	◆	◆	◆			
C19E	◆	◆	◆	◆	◆			
A22O	◆	◆	◆	◆	◆	◆	◆	◆
C22E	◆	◆	◆	◆	◆	◆	◆	◆
D22E	◆	◆	◆	◆	◆	◆	◆	◆
A25O	◆	◆	◆	◆	◆	◆	◆	◆
D25E	◆	◆	◆	◆	◆	◆	◆	◆

Distribution Guide & Ballast Data ⁽¹⁾

Catalog Number ⁽²⁾	Refractor	Lamping ⁽³⁾	Spacing Criteria	Max Ambient ⁽⁴⁾	Lamp Life ⁽⁵⁾	Initial Lumens	Maintained Lumens ⁽⁶⁾	ies File Name	CRI	Line Current 120 / 208 / 240 / 277	Line Watts	LER ⁽⁷⁾
PFCF-842-A25O	25"	8 X 42W CF	2.2	40°C	15000	25600	21760	a5cf842a.ies	82	3.0 / 1.8 / 1.4 / 1.2	336	62
PFCF-842-D25E	25"	8 X 42W CF	1.9	40°C	15000	25600	21760	a5cf842d.ies	82	3.0 / 1.8 / 1.4 / 1.2	336	62
PFCF-642-A25O	25"	6 X 42W CF	2.2	40°C	15000	19200	16320	a5cf642a.ies	82	2.2 / 1.3 / 1.1 / 0.9	252	56
PFCF-642-D25E	25"	6 X 42W CF	1.9	40°C	15000	19200	16320	a5cf642d.ies	82	2.2 / 1.3 / 1.1 / 0.9	252	56
PFCF-442-A25O	25"	4 X 42W CF	2.2	40°C	15000	12800	10880	a5cf442a.ies	82	1.5 / 0.9 / 0.7 / 0.6	168	53
PFCF-442-D25E	25"	4 X 42W CF	1.9	40°C	15000	12800	10880	a5cf442d.ies	82	1.5 / 0.9 / 0.7 / 0.6	168	53
PFCF-842-A22O	22"	8 X 42W CF	2.1	40°C	15000	25600	21760	a2cf842a.ies	82	3.0 / 1.8 / 1.4 / 1.2	336	62
PFCF-842-C22E	22"	8 X 42W CF	1.8	40°C	15000	25600	21760	a2cf842c.ies	82	3.0 / 1.8 / 1.4 / 1.2	336	62
PFCF-842-D22E	22"	8 X 42W CF	1.9	40°C	15000	25600	21760	a2cf842d.ies	82	3.0 / 1.8 / 1.4 / 1.2	336	62
PFCF-642-A22O	22"	6 X 42W CF	2.1	40°C	15000	19200	16320	a2cf642a.ies	82	2.2 / 1.3 / 1.1 / 0.9	252	56
PFCF-642-C22E	22"	6 X 42W CF	1.8	40°C	15000	19200	16320	a2cf642c.ies	82	2.2 / 1.3 / 1.1 / 0.9	252	56
PFCF-642-D22E	22"	6 X 42W CF	1.9	40°C	15000	19200	16320	a2cf642d.ies	82	2.2 / 1.3 / 1.1 / 0.9	252	56
PFCF-442-A22O	22"	4 X 42W CF	2.2	40°C	15000	12800	10880	a2cf442a.ies	82	1.5 / 0.9 / 0.7 / 0.6	168	53
PFCF-442-C22E	22"	4 X 42W CF	1.8	40°C	15000	12800	10880	a2cf442c.ies	82	1.5 / 0.9 / 0.7 / 0.6	168	53
PFCF-442-D22E	22"	4 X 42W CF	1.9	40°C	15000	12800	10880	a2cf442d.ies	82	1.5 / 0.9 / 0.7 / 0.6	168	53
PFCF-642-A19O	19"	6 X 42W CF	2.3	25°C	15000	19200	16320	a9cf642a.ies	82	2.2 / 1.3 / 1.1 / 0.9	252	56
PFCF-642-C19E	19"	6 X 42W CF	1.9	25°C	15000	19200	16320	a9cf642c.ies	82	2.2 / 1.3 / 1.1 / 0.9	252	56
PFCF-442-A19O	19"	4 X 42W CF	2.3	40°C	15000	12800	10880	a9cf442a.ies	82	1.5 / 0.9 / 0.7 / 0.6	168	53
PFCF-442-C19E	19"	4 X 42W CF	1.9	40°C	15000	12800	10880	a9cf442c.ies	82	1.5 / 0.9 / 0.7 / 0.6	168	53

Distribution Guide and Ballast Data Notes:

- (1) The Performer CF Acrylic Series can accommodate a variety of other lamping combinations and wattages. Please consult factory with specific requirements.
- (2) "A" and "O" components of part number indicate an Open Acrylic High Bay unit. "C" and "E" indicates an Enclosed unit with a Conical lens. "D" and "E" indicates an Enclosed unit with a Dropped lens. Numeric sequence "19", "22", or "25 indicates refractor size.
- (3) Data represents highest and/or most common lumen packages available for each refractor type. Please note Maximum Ambient temperature. All 42W ballasts can accommodate 32W or 26W CF lamps as well. Consult factory for additional information on specific lamping requirements.

- (4) Important: Ambient temperature guidelines must be followed. Operation in excess of Maximum Ambient temperature will void luminaire warranty. Note: Approximate °C to °F is as follows: 25°C = 77°F, 40°C = 104°F.
- (5) Lamp life based upon 50% mortality rate at 10 hour minimum starts.
- (6) Maintained lumens calculated at 40% rated life.
- (7) Calculated in accordance with NEMA Standard LE-5B. Consult factory.

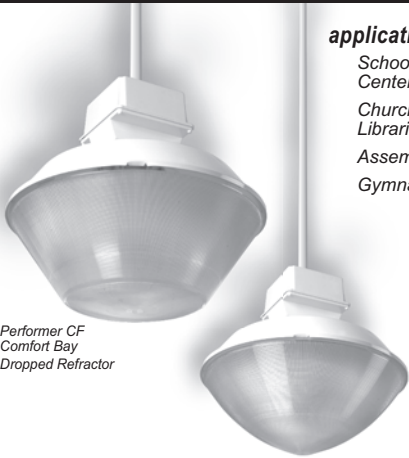
Type: _____ Job: _____

Catalog Number: _____

SERIES	REFRACTOR	VOLTAGE	OPTIONS	FINISH
--------	-----------	---------	---------	--------

ACCESSORIES

For Compact Fluorescent Indoor options, finish choices and accessories, see pages 166 - 169.

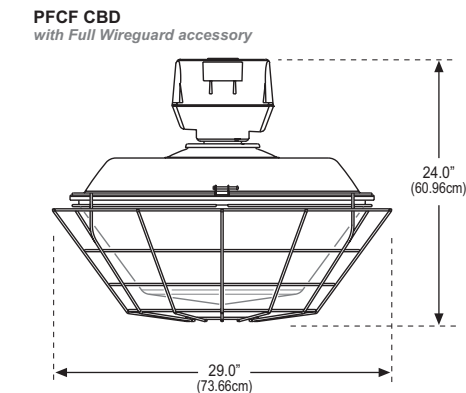
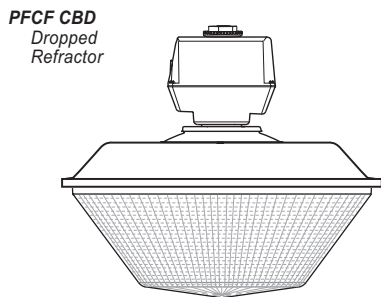
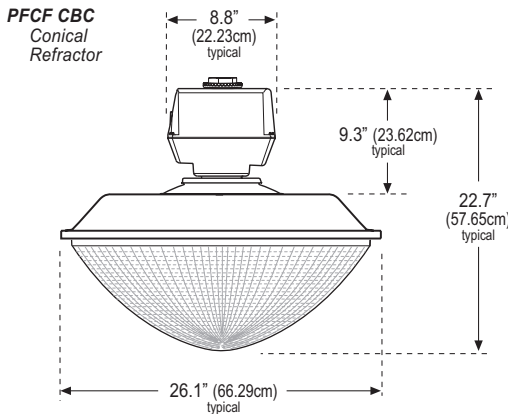


Performer CF Comfort Bay Dropped Refractor

Performer CF Comfort Bay Conical Refractor

applications

- Schools and Activity Centers
- Churches and Libraries
- Assembly Areas
- Gymnasiums



Specifications

High Visibility Optical System

The Performer CF Comfort Bay features an optical system comprised of a heavy gauge aluminum reflector with high reflectivity white UltraClad™ polyester powder coat finish, providing the upper portion of the optical assembly, which is permanently sealed to a UV stabilized acrylic prismatic refractor.

The prismatic refractor optimizes low glare and high CRI (80+) inherent in Compact Fluorescent lamp sources. The refractor is available with either a Conical or a Dropped profile. Either refractor provides unparalleled uniformity, ideal for tasks requiring high visual acuity.

An upright component option is available to provide fill light on ceiling surfaces to improve the quality of the lighting environment.

Standard unit constructed to IP22.

Ballast Assembly

Low profile, heat dissipating, die-cast aluminum alloy ballast enclosure has a convenient wiring access plate in the upper housing.

Ballast

High power factor, high frequency (non-dimming) electronic ballast shall provide reliable starting at temperatures as low as -30°C (-22°F), and shall have Total Harmonic Distortion of less than 10%. Full range dimming ballasts are optional, and unlike HID core and coil ballasts, cycling is not required in 24 hour, 7-day operations. With this option, starting temperatures are as low as 10°C (50°F), and THD varies. Consult factory.

Lamp / Socket

The Performer CF Comfort Bay luminaire utilizes amalgam-based Compact Fluorescent lamps and GX24q-4/5 sockets. Compact Fluorescent lamps provide higher maintained (mean) lumens over the life of the lamp, and at 12 hour starts, exceed the lamp life of comparable HID lamps by more than 50%. (12 hour starts result in 20,000 hour rated lamp life.)

Mounting

Pendant mounting is standard. Cast aluminum nut and hub (provided with standard ballast enclosure) shall provide quick, positive mounting to 3/4" NPT conduit (by others). Other mounting options are available.

Finish

Standard ballast enclosure and upper reflector housing finish is white UltraClad™ polyester powder coat, electrostatically applied and oven cured.

Listings

UL/cUL Listed luminaire, UL 1598, suitable for damp locations; 25°C (77°F) to 40°C (104°F) ambients.

The quality systems of this facility have been Registered by UL to the ISO 9000 Series Standards.

Warranty / Terms and Conditions

Standard 5 Year Limited Warranty.

Optional GE Lighting/ACE Ballast Total Performance OEM systems warranty (registration required).

Wide-Lite's current Warranty may be found at www.wide-lite.com (keyword: warranty) as well as Wide-Lite's current Standard Terms and Conditions of Sale (keyword: terms).

All sales of items in this catalogue shall be subject to Wide-Lite's Standard Terms and Conditions of Sale current at the time of shipment. If you do not have a copy of Wide-Lite's Warranty and Standard Terms, please contact the factory for same prior to ordering.



www.wide-lite.com

CATALOG KEYWORD: PFCFCB



Wide-Lite
a GENLITE company

P.O. Box 606 • San Marcos TX 78667-0606
(512) 392-5821 • Fax (512) 753-1122

Series ⁽¹⁾

- PFCF-842** = 8 x 42W
- PFCF-642** = 6 x 42W
- PFCF-442** = 4 x 42W

Reflector ⁽¹⁾

- CBC** = Conical Reflector
- CBD** = Dropped Reflector

Voltage

- 120**
- 208**
- 240**
- 277**

PFCF COMFORT BAY AMBIENT TEMPERATURE LIMITS

Lamp Config.	2 x 42W		4 x 42W		6 x 42W		8 x 42W	
Total Wattage	84		168		252		336	
Ambient Limits	25°C	40°C	25°C	40°C	25°C	40°C	25°C	40°C
CBC	◆	◆	◆	◆	◆	◆	◆	
CBD	◆	◆	◆	◆	◆	◆	◆	

CF vs. HID Efficiency Comparison

CF Lamp Wattage	2x42	4x42	6x42	8x42
CF Initial Lumens	6,400	12,800	19,200	25,600
CF Mean Lumens	5,504	11,008	16,512	22,016
HID Equivalent	70M	175M	250M	250PS
HID Initial Lumens	5,200	14,400	20,800	25,000
HID Mean Lumens	3,900	10,800	13,500	20,000

(1) Consult Ambient Temperature Limits chart to determine suitability for intended application.

Distribution Guide & Ballast Data ⁽¹⁾

Catalog Number ⁽²⁾	Reflector	Lamping ⁽²⁾	Spacing Criteria	Max Ambient ⁽³⁾	Lamp Life ⁽⁴⁾	Initial Lumens	Maintained Lumens ⁽⁵⁾	.ies File Name	CRI	Line Current 120 / 208 / 240 / 277	Line Watts	LER ⁽⁶⁾
PFCF-842-CBC	Conical	8 X 42W CF	1.4	25°C	15000	25600	21760	cbcf842c.ies	82	3.0 / 1.8 / 1.4 / 1.2	336	56
PFCF-642-CBC	Conical	6 X 42W CF	1.4	40°C	15000	19200	16320	cbcf642c.ies	82	2.2 / 1.3 / 1.1 / 0.9	252	56
PFCF-442-CBC	Conical	4 X 42W CF	1.4	40°C	15000	12800	10880	cbcf442c.ies	82	1.5 / 0.9 / 0.7 / 0.6	168	56
PFCF-842-CBD	Dropped	8 X 42W CF	1.3	25°C	15000	25600	21760	cbcf842d.ies	82	3.0 / 1.8 / 1.4 / 1.2	336	57
PFCF-642-CBD	Dropped	6 X 42W CF	1.3	40°C	15000	19200	16320	cbcf642d.ies	82	2.2 / 1.3 / 1.1 / 0.9	252	57
PFCF-442-CBD	Dropped	4 X 42W CF	1.3	40°C	15000	12800	10880	cbcf442d.ies	82	1.5 / 0.9 / 0.7 / 0.6	168	57

Distribution Guide and Ballast Data Notes:

(1) The Performer CF Comfort Bay Series can accommodate a variety of other lamping combinations and wattages. Please consult factory with specific requirements.

(2) Data represents highest and/or most common lumen packages available for each reflector type. Please note Maximum Ambient temperature. All 42W ballasts can accommodate 32W or 26W CF lamps as well. Consult factory for additional information on specific lamping requirements.

(3) Important: Ambient temperature guidelines must be followed. Operation in excess of Maximum Ambient temperature will void luminaire warranty. Note: Approximate °C to °F is as follows: 25°C = 77°F, 40°C = 104°F.

(4) Lamp life based upon 50% mortality rate at 10 hour minimum starts.

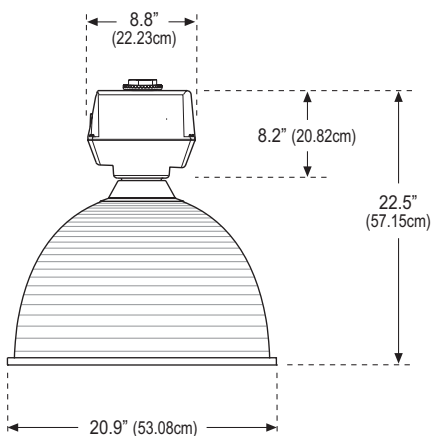
(5) Maintained lumens calculated at 40% rated life.

(6) Calculated in accordance with NEMA Standard LE-5B.



applications
 Light Industrial Applications
 Gymnasiums

Performer CF High Bay
 PFCF-M21E Enclosed with Glass Lens
 PFCF-M21O Open
 PFCF-M21T Enclosed with Teflon Lens



Type: _____ Job: _____

Catalog Number: _____

SERIES	REFRACTOR	VOLTAGE	OPTIONS	FINISH
--------	-----------	---------	---------	--------

ACCESSORIES

For Compact Fluorescent Indoor options, finish choices and accessories, see pages 166 - 169.

Specifications

Reflector

The Performer CF High Bay features computer designed stepped optics. The reflector is spun from highly reflective, high purity, chemically brightened anodized aluminum. The reflector is designed to optimize the low glare and high CRI (80+) inherent in Compact Fluorescent lamp sources.

The PFCFM is available with either Open or Enclosed optics and features a dust cap or reflector collar between the spun reflector and the ballast housing.

The enclosed unit may be specified with a tempered flat glass lens or with a Teflon[®] lens. Standard open optics constructed to IP22. Standard enclosed optics constructed to IP52.

Ballast Assembly

Low profile, heat dissipating, die-cast aluminum alloy ballast enclosure has a convenient wiring access plate in the upper housing.

Ballast

High power factor, high frequency (non-dimming) electronic ballast shall provide reliable starting at temperatures as low as -30°C (-22°F), and shall have Total Harmonic Distortion of less than 10%. Full range dimming ballasts are optional, and unlike HID core and coil ballasts, cycling is not required in 24 hour, 7-day operations. With this option, starting temperatures are as low as 10°C (50°F), and THD varies. Consult factory.

Lamp / Socket

The Performer CF Comfort Bay luminaire utilizes amalgam-based Compact Fluorescent lamps and GX24q-4/5 sockets. Compact Fluorescent lamps provide higher maintained (mean) lumens over the life of the lamp, and at 12 hour starts, exceed the lamp life of comparable HID lamps by more than 50%. (12 hour starts result in 20,000 hour rated lamp life.)

Mounting

Pendant mounting is standard. Cast aluminum nut and hub (provided with standard ballast enclosure) shall provide quick, positive mounting to 3/4" NPT conduit (by others). Other mounting options are available.

Finish

Standard ballast enclosure and upper reflector housing finish is white UltraClad™ polyester powder coat, electrostatically applied and oven cured.

Listings

UL/cUL Listed luminaire, UL 1598, suitable for damp locations; 25°C (77°F) to 40°C (104°F) ambients.

The quality systems of this facility have been Registered by UL to the ISO 9000 Series Standards.

Warranty / Terms and Conditions

Standard 5 Year Limited Warranty.

Optional GE Lighting/ACE Ballast Total Performance OEM systems warranty (registration required).

Wide-Lite's current Warranty may be found at www.wide-lite.com (keyword: warranty) as well as Wide-Lite's current Standard Terms and Conditions of Sale (keyword: terms).

All sales of items in this catalogue shall be subject to Wide-Lite's Standard Terms and Conditions of Sale current at the time of shipment. If you do not have a copy of Wide-Lite's Warranty and Standard Terms, please contact the factory for same prior to ordering.



www.wide-lite.com

CATALOG KEYWORD: PFCFM



Wide-Lite
 a GENLITE company

P.O. Box 606 • San Marcos TX 78667-0606
 (512) 392-5821 • Fax (512) 753-1122

Series

- PFCF-842** = 8 x 42W
- PFCF-642** = 6 x 42W
- PFCF-442** = 4 x 42W

Reflector

- M21O** = 21" Open Optics
- M21E** = 21" Enclosed with Flat Glass Lens
- M21T** = 21" Enclosed with Teflon Lens

Voltage

- 120**
- 208**
- 240**
- 277**

CF vs. HID Efficiency Comparison

CF Lamp Wattage	2x42	4x42	6x42	8x42
CF Initial Lumens	6,400	12,800	19,200	25,600
CF Mean Lumens	5,504	11,008	16,512	22,016
HID Equivalent	70M	175M	250M	250PS
HID Initial Lumens	5,200	14,400	20,800	25,000
HID Mean Lumens	3,900	10,800	13,500	20,000

Distribution Guide & Ballast Data ⁽¹⁾

Catalog Number ⁽²⁾	Lamping ⁽²⁾	Spacing Criteria	Max Ambient ⁽³⁾	Lamp Life ⁽⁴⁾	Initial Lumens	Maintained Lumens ⁽⁵⁾	.ies File Name	CRI	Line Current 120 / 208 / 240 / 277	Line Watts	LER ⁽⁶⁾
PFCF-842-M21O	8 X 42W CF	2.7	40°C	15000	25600	21760	m842o.ies	82	3.0 / 1.8 / 1.4 / 1.2	336	58
PFCF-642-M21O	6 X 42W CF	2.7	40°C	15000	19200	16320	m642o.ies	82	2.2 / 1.3 / 1.1 / 0.9	252	52
PFCF-442-M21O	4 X 42W CF	2.7	40°C	15000	12800	10880	m442o.ies	82	1.5 / 0.9 / 0.7 / 0.6	168	49
PFCF-842-M21E	8 X 42W CF	2.7	40°C	15000	25600	21760	m842g.ies	82	3.0 / 1.8 / 1.4 / 1.2	336	56
PFCF-642-M21E	6 X 42W CF	2.7	40°C	15000	19200	16320	m642g.ies	82	2.2 / 1.3 / 1.1 / 0.9	252	50
PFCF-442-M21E	4 X 42W CF	2.7	40°C	15000	12800	10880	m442g.ies	82	1.5 / 0.9 / 0.7 / 0.6	168	47
PFCF-842-M21T	8 X 42W CF	2.7	40°C	15000	25600	21760	m842t.ies	82	3.0 / 1.8 / 1.4 / 1.2	336	57
PFCF-642-M21T	6 X 42W CF	2.7	40°C	15000	19200	16320	m642t.ies	82	2.2 / 1.3 / 1.1 / 0.9	252	51
PFCF-442-M21T	4 X 42W CF	2.7	40°C	15000	12800	10880	m442t.ies	82	1.5 / 0.9 / 0.7 / 0.6	168	48

Distribution Guide and Ballast Data Notes:

- (1) The Performer CF High Bay Series can accommodate a variety of other lamping combinations and wattages. Please consult factory with specific requirements.
- (2) Data represents highest and/or most common lumen packages available for each refractor type. Please note Maximum Ambient temperature. All 42W ballasts can accommodate 32W or 26W CF lamps as well. Consult factory for additional information on specific lamping requirements.
- (3) Important: Ambient temperature guidelines must be followed. Operation in excess of Maximum Ambient temperature will void luminaire warranty. Note: Approximate °C to °F is as follows: 25°C = 77°F, 40°C = 104°F.

(4) Lamp life based upon 50% mortality rate at 10 hour minimum starts.

(5) Maintained lumens calculated at 40% rated life.

(6) Calculated in accordance with NEMA Standard LE-5B. Consult factory.

Option Availability Matrix

	CA ¹	PFCFA ²	PFCFCB ³	PFCFM ⁴
<input type="checkbox"/> AUL	•		•	
<input type="checkbox"/> DM	•	•	•	•
<input type="checkbox"/> F	•	•	•	•
<input type="checkbox"/> H4-HCP-L2320P		•	•	•
<input type="checkbox"/> H4-HCP-L920P		•	•	•
<input type="checkbox"/> H5-LCP-L2320P		•	•	•
<input type="checkbox"/> H5-LCP-L920P		•	•	•
<input type="checkbox"/> HCP-(X)C-L(Y)20P		•	•	•
<input type="checkbox"/> HCP-(X)C-L2320P		•	•	•
<input type="checkbox"/> LCP-(X)C-L(Y)20P		•	•	•
<input type="checkbox"/> LCP-(X)C-L2320P		•	•	•
<input type="checkbox"/> PCR	•	•		
<input type="checkbox"/> SL(X) ⁷	•	•	•	•
<input type="checkbox"/> TWB-ED5P		•	•	•
<input type="checkbox"/> TWB-EDP		•	•	•
<input type="checkbox"/> UPH-LCMP		•	•	•
<input type="checkbox"/> ZX	•	•	•	•

Finish Availability

	CA	PFCFA	PFCFCB	PFCFM
<input type="checkbox"/> A(XX) ⁴	•	•		
<input type="checkbox"/> P(X) ⁵	•	•		
<input type="checkbox"/> RAL(*) ⁶	•			
<input type="checkbox"/> WHT (Smooth White)	STD	STD	STD	STD

• **Available Option**

(see also any associated footnotes)
Options are factory installed.

Option Matrix Notes

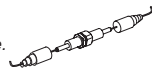
- Available with CACF Contemporary model only.
- Ambient temperature limits apply. Consult factory.
- Available with CACF Classic model only.
- Acrylic custom refractor color or specialty acrylic refractor: PW (Pearl White), AM (Acrylic Metalized), or GT (Granite). Consult factory to specify transparent filter color choice.
- Polycarbonate custom refractor color. Consult factory to specify transparent filter color choice.
- RAL custom powdercoat finish color available at additional cost. Consult factory to specify RAL color choice (*).
- Consult factory for availability of HCP and LCP type options with multiple switch leg dimming options.

Compact Fluorescent Indoor Options

Ballast Fusing Options

F Fused Ballast

Inline fuses are slow blow type.
Specify voltage.



Dimming Options

DM Dimming Ballast

0-10V signal to control. Dims down to 5% minimum.
Mounting dimensions depend on type of ballast utilized. Consult factory.

SL(X) Multiple Switch Leg Dimming⁷

X = Number of Switch Legs (2, 3, or 4)

Switch Leg Dimming provides a simulated dimming effect by allowing selective operation of pairs or groups of lamps within the fixture. Requires 5-wire.

Note: SL4 is available for 120 and 277V units only.

Fixtures with multiple switch legs must use 3/4" NPT conduit stem (by others). Consult factory.

Mounting Options

HCP-(X)C-L2320P Hook, Cord & Plug, 5-Wire

Unit is pre-wired with 5-conductor rubber jacketed cable and heavy duty, (16/5) NEMA twist-lock plug, with die cast aluminum hook, locking screw and 3/4" NPT stem.

X = Cord length in feet

Note: (Per 2002 NEC Code, maximum exposed cord length is 6 feet (1.83 meters).

5-Wire version required when also specifying Multiple Switch Leg Dimming.



HCP-(X)C-L(Y)20P Hook, Cord & Plug, 3-Wire

Unit is pre-wired with 3-conductor rubber jacketed cable and heavy duty (16/3) NEMA twist-lock plug, with die cast aluminum hook with locking screw (see illustration above). 20A standard.

X = Cord length in feet (See note above.)

Y = 3-Wire NEMA voltage code

5 = 120V

6 = 208/240V

7 = 277V

H4-HCP-L2320P

Pendant Power Hook, 600V, 5-Wire, with HCP



Pendant mounted power hook with a L9-20R NEMA receptacle.

Unit is prewired with corresponding Hook, Cord and Plug.

H4-HCP-L920P

Pendant Power Hook, 600V, 3-Wire, with HCP

Pendant mounted power hook with a L9-20R NEMA receptacle. Unit is prewired with corresponding Hook, Cord and Plug (see illustration above).

LCP-(X)C-L2320P

Loop, Cord & Plug, 5-Wire

Unit is pre-wired with 5-conductor rubber jacketed cable and heavy duty, (16/5) NEMA twist-lock plug, with die cast aluminum loop and 3/4" NPT stem.

X = Cord length in feet

(See max. cord length note above).

5-Wire version required when also specifying Multiple Switch Leg Dimming.



LCP-(X)C-L(Y)20P Loop, Cord & Plug, 3-Wire

Unit is pre-wired with 3-conductor rubber jacketed cable and heavy duty (16/3) NEMA twist-lock plug, with die cast aluminum loop and 3/4" NPT stem (see illustration above). 20A standard.

X = Cord length in feet (See note above.)

Y = 3-Wire NEMA voltage code

5 = 120V

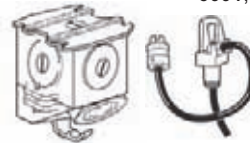
6 = 208/240V

7 = 277V

Mounting Options (continued)

H5-LCP-L2320P

Thru-Wire Power Hook, 600V, 5-Wire, with LCP



Power hook with thru-wire provision contains a L9-20R NEMA receptacle.

Unit is prewired with corresponding Loop, Cord and Plug.

H5-LCP-L920P

Thru-Wire Power Hook, 600V, 3-Wire, with LCP

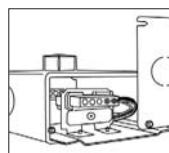
Power hook with thru-wire provision contains a L9-20R NEMA receptacle. Unit is prewired with corresponding Loop, Cord and Plug (see illustration above).

TWB-EDP

Thru-Wire Box, 3-Wire, with Primary Electrical Disconnect

TWB-ED5P

Thru-Wire Box, 5-Wire, with Primary Electrical Disconnect



Provides disconnect ability. UL listed as primary disconnect, load break device.

Voltage must be specified.

5-Wire version required when also specifying Multiple Switch Leg Dimming.

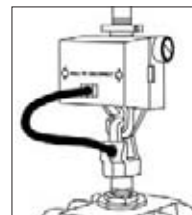
UPH-LCMP

Universal Power Hook, 3-Wire

Module with thru-wire provision is UL listed as primary disconnect, load break device.

Voltage must be specified.

Note: Module is not available in a 5-Wire version. Option may not be specified with Multiple Switch Leg Dimming.



Special Optics

AUL Additional Uplight Component

Translucent inserts in upper reflector increase space perception and eliminate shadows.

Available for CACF Contemporary or PFCF Comfort Bay.



PCR Polycarbonate Refractor

ZX Locking Sockets

Specified as an additional safety feature to secure CF lamps and protect from possible loss due to extended socket wear or vibration.

ISO 9001
Certified

www.wide-lite.com



Wide-Lite
a GENLYTE company

P.O. Box 606 • San Marcos TX 78667-0606
(512) 392-5821 • Fax (512) 753-1122

DISTRIBUIDO EN VENEZUELA POR:  **gedisa**
www.gedisa.com

WideLite®

Accessory Availability Matrix

	CACF	PFCFA	PFCFCB	PFCFM
<input type="checkbox"/> BRC-(X)-PF		•	•	•
<input type="checkbox"/> CEN600 ¹	•			
<input type="checkbox"/> CEN600C ¹	•			
<input type="checkbox"/> CF-F(X)	•	•	•	•
<input type="checkbox"/> CS-(XX) ²	•			
<input type="checkbox"/> CS400 ¹	•			
<input type="checkbox"/> CS500 ¹	•			
<input type="checkbox"/> EBB-1000-(XXX)-ST	•	•	•	•
<input type="checkbox"/> EBB-1000-(XXX)-MT	•	•	•	•
<input type="checkbox"/> EBB-750-(XXX)-MT	•	•	•	•
<input type="checkbox"/> EBB-DL ³	•	•	•	•
<input type="checkbox"/> EBBP-1000-(XXX)-ST	•	•	•	•
<input type="checkbox"/> EBBP-1000-(XXX)-MT	•	•	•	•
<input type="checkbox"/> EBBP-750-(XXX)-MT	•	•	•	•
<input type="checkbox"/> EBBS-1000-(XXX)-ST	•	•	•	•
<input type="checkbox"/> EBBS-1000-(XXX)-MT	•	•	•	•
<input type="checkbox"/> EBBS-750-(XXX)-MT	•	•	•	•
<input type="checkbox"/> FWG	•			•
<input type="checkbox"/> H4		•	•	•
<input type="checkbox"/> H4-5W		•	•	•
<input type="checkbox"/> H5		•	•	•
<input type="checkbox"/> H5-5W		•	•	•
<input type="checkbox"/> HCP-(X)C-L(Y)20P		•	•	•
<input type="checkbox"/> HCP-(X)C-L2320P		•	•	•
<input type="checkbox"/> HM		•	•	•
<input type="checkbox"/> JA75		•	•	•
<input type="checkbox"/> LCP-(X)C-L(Y)20P		•	•	•
<input type="checkbox"/> LCP-(X)C-L2320P		•	•	•
<input type="checkbox"/> LM		•	•	•
<input type="checkbox"/> LMP(XX)	•	•	•	•
<input type="checkbox"/> LRC		•	•	•
<input type="checkbox"/> ORC-PFCF		•	•	•
<input type="checkbox"/> SH75		•	•	•
<input type="checkbox"/> TWB		•	•	•
<input type="checkbox"/> WG-22-PF				•
<input type="checkbox"/> WG-PF/ILX-CB	•		•	

• Available Accessory

(see also any associated footnotes)
Accessories are field installed.
Order Accessories as separate line items.

Accessory Matrix Notes

- Requires use of CS-(XX). Stem length must be specified. (12" minimum).
- Required with rigid or swivel canopy accessories. Internal stem diameter of 3/8" conduit stem CS-(XX) restricts switch leg wiring to single switch leg only. **May not be specified for CF units featuring multiple switch leg dimming option or EBB option.**
- Damp Location Listing is only offered with the EBB (standard Remote mount version). The EBBP (pendant mount) and EBBS (surface mount) are suitable for Dry Locations only.

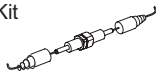
Specifications and dimensions are subject to change without notice.

Ballast Fusing Accessories

CF-F(X) CF Inline Fuse Kit

X = Number of Inline Fuses
1, 2, 3, or 4

Fuses are 3 amp slow-blow type.



CF Lamp Selection

LMP(XX) Lamp Color Temperature

XX = Color Temperature designation
(Other than Standard 4100K Lamps)

27 = 2700K Lamp

30 = 3000K Lamp

35 = 3500K Lamp

Note: CF luminaire pricing includes CF lamps. If no color temperature designation is made, unit is supplied with 4100K lamps (shipped separately).

Emergency Battery Backup

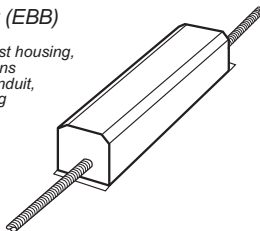
Emergency Battery Backup capability is available in several configurations, suitable for Dry Locations and with Non-dimming ballasts only. For convenience sake, units featuring the Self Test feature are recommended. The Self Test feature is available only with the 1000 lumen output units, which also provide brighter emergency illumination over the 750 lumen output unit (available with Manual Test switch only). Consult factory for mounting dimensions. For recessed conduit connection, consult factory.

Note: Damp Location Listing available with Remote Mount (EBB) version only.

XXX = Voltage designation: 120 or 277 only

Remote Mount (EBB)

Includes ballast housing, two 24" sections of 3/8" flex conduit, and a charging indicator light.



EBB-1000-(XXX)-ST

1000 lumen output / Self Test Switch

EBB-1000-(XXX)-MT

1000 lumen output / Manual Test Switch

EBB-750-(XXX)-MT

750 lumen output / Manual Test Switch

EBB-DL Damp Location Listed Emergency Battery Backup

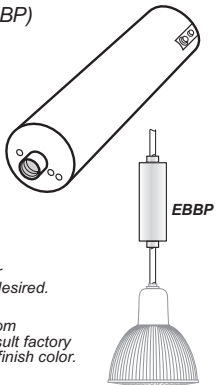
Available with Remote Mount units only. Specify in addition to selected EBB listed above.

Pendant Mount (EBBP)

Decorative ballast housing finished in white polyester powder coat, for thru-wire mounting to 3/4" NPT conduit (by others).

With manual test switch units, the charging indicator light and test switch are mounted on the ballast housing, but may be relocated for remote mounting if desired.

If installed with custom color luminaire, consult factory to specify matching finish color.



EBBP-1000-(XXX)-ST

1000 lumen output / Self Test Switch

EBBP-1000-(XXX)-MT

1000 lumen output / Manual Test Switch

EBBP-750-(XXX)-MT

750 lumen output / Manual Test Switch

Emergency Battery Backup (continued)

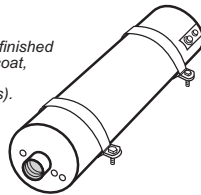
Surface Mount (EBBS)

Decorative ballast housing finished in white polyester powder coat, for thru-wire mounting to 3/4" NPT conduit (by others).

Includes brackets for surface mounting (usually to ceiling).

With manual test switch units, the charging indicator light and test switch are mounted on the ballast housing, but may be relocated for remote mounting if desired.

If installed with custom color luminaire, consult factory to specify matching finish color.



EBBS-1000-(XXX)-ST

1000 lumen output / Self Test Switch

EBBS-1000-(XXX)-MT

1000 lumen output / Manual Test Switch

EBBS-750-(XXX)-MT

750 lumen output / Manual Test Switch

Mounting Accessories

BRC-(X)-PF Ballast Retainer Chain

Provides an added level of mounting security between ceiling structural member and ballast housing.

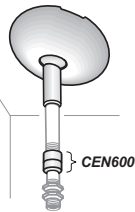
X = Chain length in feet
3, 5, 7, or 10



CEN600¹ 42° Swivel Canopy with Single Stem Centering Weight

Swivel collar provides clean transition at sloped ceilings.

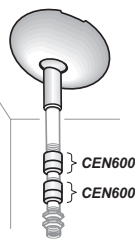
Bottom weight assures true vertical orientation and reduces adverse effects of external vibration on luminaire.



CEN600C¹ 42° Swivel Canopy with Dual Stem Centering Weights

California building code compliant (Vibration Resistance standards). Swivel collar provides clean transition at sloped ceilings.

Two bottom weights assure true vertical orientation and reduces adverse effects of external vibration on luminaire.



CS-(XX)² Reduced diameter 3/8" Conduit Stem

XX = Stem length in inches

12 (minimum) 30

18 36

24 48

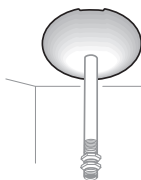
Provides easy installation and maintenance as well as more desirable aesthetic mounting appearance.

3/8" - 18 NPSM Trade Size conduit stem is also compatible with 1/2" Trade knock-outs (7/8" diameter).



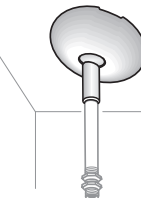
CS400¹ Rigid Canopy

Provides clean transition at standard (non-sloped) ceiling.



CS500¹ 42° Swivel Canopy

Provides clean transition at sloped ceiling.



Mounting Accessories (continued)

H4 Pendant Mounted Power Hook
Contains a 3-Wire, L9-20R NEMA receptacle. Used specifically with HCP.



H4-5W Pendant Mounted Power Hook, 5-Wire
Contains a 5-Wire NEMA receptacle. Used with 5-Wire HCP.

H5 Power Hook with Thru-Wire Provision
Contains a 3-Wire, L9-20R NEMA receptacle. Used specifically with LCP.



H5-5W Power Hook, 5-Wire, with Thru-Wire Provision
Contains a 5-Wire NEMA receptacle. Used with 5-Wire LCP.

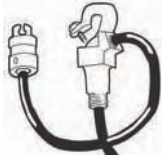
HCP-(X)C-L(Y)20P Hook, Cord & Plug, 3-Wire
3-conductor rubber jacketed cable and heavy duty (16/3) NEMA twist-lock plug, with die cast aluminum hook with locking screw and 3/4" NPT stem (see illustration below).

X = Cord length in feet

Y = 3-Wire NEMA voltage code

5 = 120V 7 = 277V
6 = 208/240V 8 = 480V

HCP-(X)C-L2320P Hook, Cord & Plug, 5-Wire
5-conductor rubber jacketed cable and heavy duty, (16/5) NEMA twist-lock plug, with die cast aluminum hook with locking screw and 3/4" NPT stem.



X = Cord length in feet

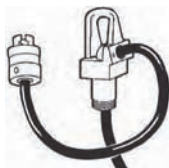
HM Hook Male
Die-cast aluminum hook with locking screw. 3/4" NPT stem.



JA75 Joint Aligner
Accepts male 3/4" NPT conduit. Fits 3-3/4" and 4" Octagonal Box. 50 lb max load.



LCP-(X)C-L(Y)20P Loop, Cord & Plug, 3-Wire
3-conductor rubber jacketed cable and heavy duty (16/3) NEMA twist-lock plug, with die cast aluminum loop with 3/4" NPT stem.



X = Cord length in feet

Y = 3-Wire NEMA voltage code

5 = 120V 7 = 277V
6 = 208/240V 8 = 480V

LCP-(X)C-L2320P Loop, Cord & Plug, 5-Wire
5-conductor rubber jacketed cable and heavy duty, (16/5) NEMA twist-lock plug, with die cast aluminum loop with 3/4" NPT stem. (see illustration above). X = Cord length in feet

LM Loop Male
Die-cast aluminum loop. 3/4" NPT stem.



ORC-PFCF Optic Retainer Cable

Stainless steel aircraft cable, for installation between ballast and optics.

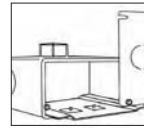
See specific luminaire installation instructions for details.



SH75 Swivel Hanger
Accepts male 3/4" NPT conduit. 50 lb max load if hung from junction box.



TWB Thru-Wire Outlet Box
UL Listed as Load Break device.

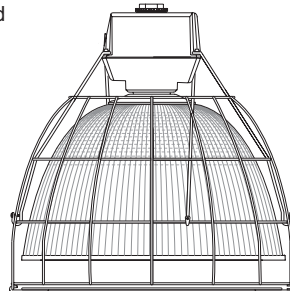


Wireguards

FWG Full Wireguard

Protects entire high bay refractor.

Recommended for use in active environments such as gymnasiums and similar facilities.



WG-22-PF Bottom Wireguard



WG-PF/ILX-CB Wireguard

Protects PFCF Comfort Bay Dropped or Conical lens. Also compatible with CACF Contemporary units.

Recommended for use in active environments such as gymnasiums and similar facilities.

